



Circular Rip Saw

K34V/1000

for hardwood and softwood



CHARACTERISTIC FEATURES

CIRCULAR RIP SAW OF THE K34 SERIES

The K34V/1000 is a circular rip saw with movable saw bushes, designed to rip hard and soft wood up to 940 mm wide.



Fig. 1 Model K34V/1000

ALL IN ONE

It combines the essential features of a classic multirip saw and circular edger in one machine.

MOVABLE SAW BUSHES

The saw shaft with its up to four independently movable saw bushes has been adopted from the proven KME2 circular edger of which thousands are in operation worldwide.

This technology offers an individual, optimum ripping pattern for each workpiece which is only difficult to obtain on a traditional multirip saw with a fixed saw configuration.

OPERATION



CONTROLS

For positioning the movable saw bushes there are various options available.

In the simplest version the operator moves the saw bushes with the aid of an electric lever switch (fig. 2) for producing random widths only.

The convenient NCB-2 control (fig. 3) is suitable for positioning one or two saw bushes. It can store up to 10 rip lists, each with up to 20 fixed widths which can be selected by pressing a key.

For the control of more than two movable saw bushes, a CNC ripping pattern control with color monitor, type NCD is used (fig. 4).

This control is suitable for positioning up to four saw bushes and a movable splitting wedge. This technology offers all the possibilities of yield optimization.



Fig. 3 NCB-2 control with joystick (option)



Fig. 4 NCD ripping pattern control

When starting the machine the NCB-2 or NCD control carries out an automatic reference run and checks the safety devices and limiting values to ensure a smooth operation.

Fig. 2 Control by electric lever switch

TECHNICAL DATA

	K34V/1000
Opening width ¹⁾	940 mm
Max. cutting height	105 mm
Max. saw blade Ø	340 mm
Saw shaft Ø	60 mm (hard-chrome plated)
Saw shaft speed	3300 RPM (standard)
Number of powered top rollers hydr. adjustable in height	6
Number of powered bottom rollers	6
Width of top rollers	914 mm
Width of bottom rollers	988 mm
Feed speed hydr. infinitely variable	2–50 (on request up to 80) m/min.
Min. workpiece length	approx. 600 mm
Driving power	max. 55 kW (75 kW ²⁾)
Available designs	right-hand and left-hand
Dimensions	
Length / height	approx. 1812 mm / 1420 mm
Width	approx. 2050 mm
Weight (without motor)	approx. 3000 kg

¹⁾ max. ripping width depending on the saw bush configuration concerned
²⁾ with reinforced main bearing

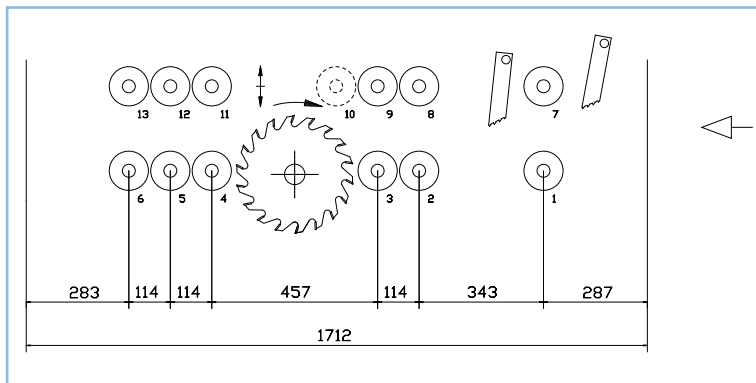


Fig. 5 Roller configuration of K34V/1000 without anti-kickback device

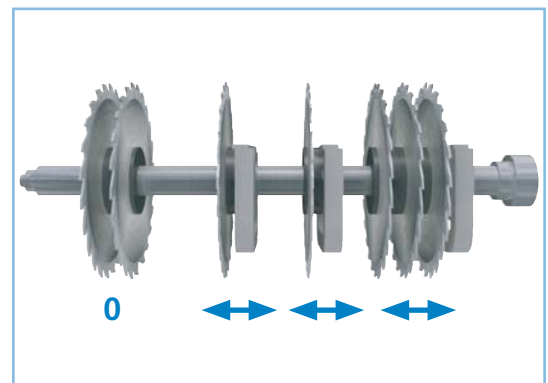


Fig. 6 Up to four moving saw bushes possible

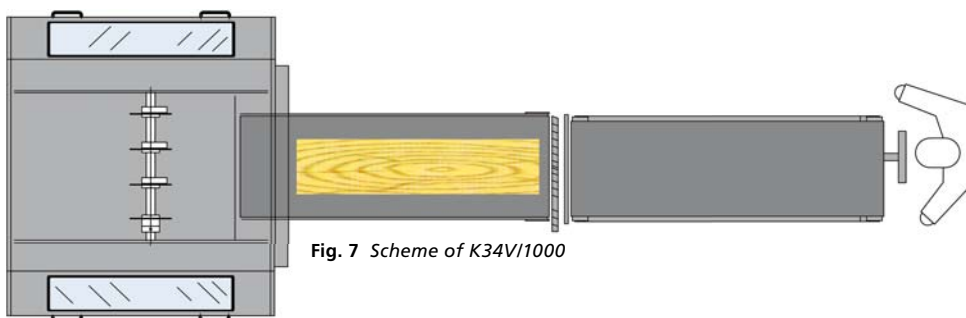


Fig. 7 Scheme of K34V/1000