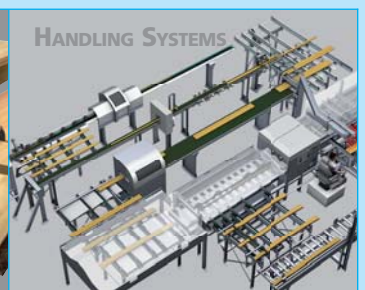
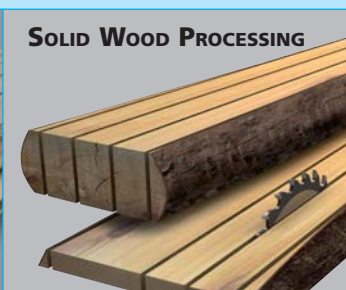
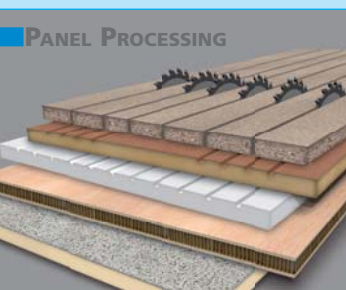


made  
in  
Germany

**Paul**  
Maschinenfabrik GmbH & Co. KG



# Multirip Circular Saws Series SK



## FOR PANELS UP TO 150 MM THICK

### FIELD OF APPLICATION

The heavy-duty high-performance SK series multirip saws are specifically designed for ripping panels, such as OSB, OSL, LVL and particle board of up to 150 mm in thickness. These machines are also perfectly suited for processing numerous other materials, e.g. plastic or insulating material.

The SK machines, whose strength lies in production line applications, are available in opening widths of 800 to 3000 mm (wider models on inquiry).



Fig. 1: Model SKI2200 for ripping LVL panels

### SK WITH BOTTOM SAW SHAFT

Fig. 2: Model SK-OUI1500 in operation



The vertically adjustable saw shaft ensures optimized cutting quality and can be exchanged by only one operator within a minimum of time. This minimizes set-up times and leads to an appreciable increase in the uptime of the machine.

Using specialized tooling, the SK additionally grooves or profiles the bottom face of the workpieces in a single pass. Polyurethane-coated top rollers ensure a particularly accurate and careful workpiece throughfeed. Control is effected by a programmable logic controller (PLC) which can, on request, be serviced remotely via the Internet. Connection to a master computer is readily possible as well.

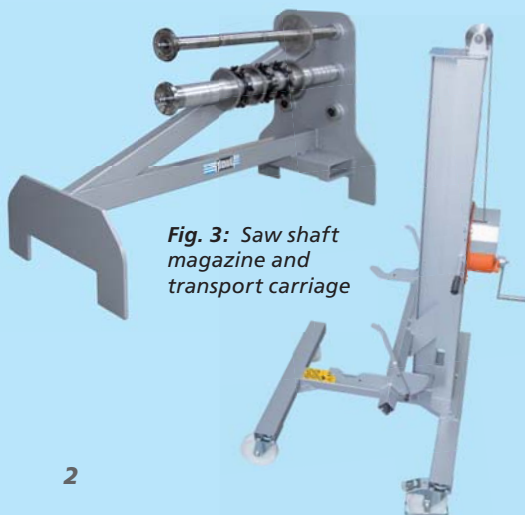


Fig. 3: Saw shaft magazine and transport carriage



Fig. 4: The saw shaft is located below the insert table

## ▶ SK-OU WITH TOP AND BOTTOM SAW SHAFT

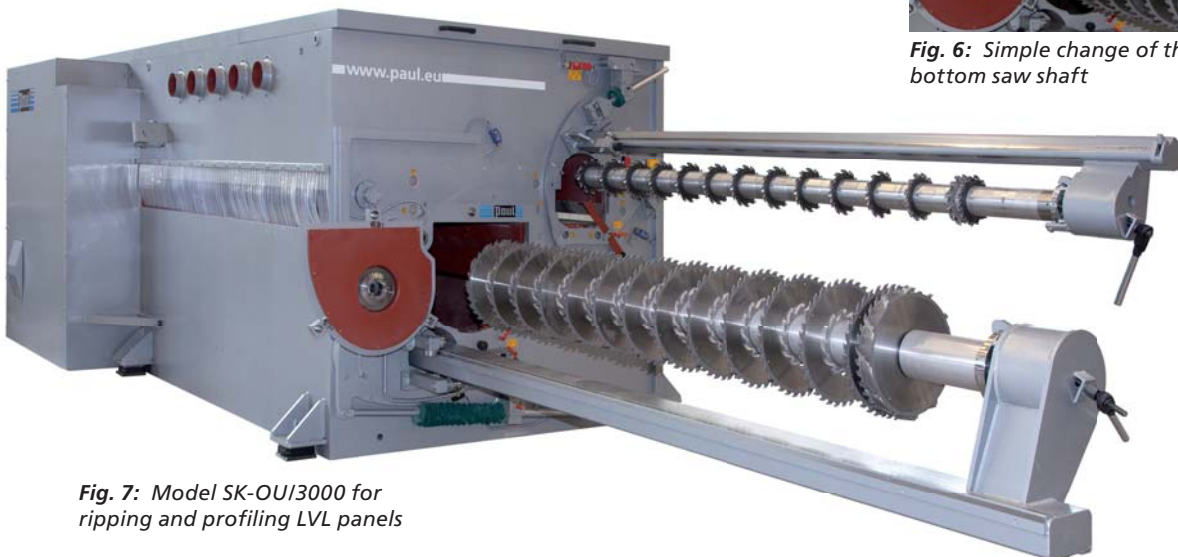
In addition to the aforementioned benefits of the SK, the SK-OU features a second, overhead saw shaft allowing to rip and groove or profile both the top and bottom face of the workpieces in just one pass.



**Fig. 5:** Special crane hook for transporting the heavy saw shaft



**Fig. 6:** Simple change of the top and bottom saw shaft



**Fig. 7:** Model SK-OU/3000 for ripping and profiling LVL panels

## ▶ TECHNICAL DATA

			SK	SK-OU
Nominal opening widths		[mm]	800 / 1200 / 1500 / 1800 / 2200 / 2600 / 3000	
Max. cutting height		[mm]	150	
Min. workpiece length <sup>1)</sup>		[mm]	2000	
Max. saw shaft Ø	bottom	[mm]	130	130
	top	[mm]	-	100
Max. Saw blade Ø	bottom	[mm]	550	550
	top	[mm]	-	250
Feed speed		[m/min.]	variable	
Max. driving power	bottom	[kW]	250	250
	top	[kW]	-	90
Sound pressure level	no load/operation	[dB(A)]	77/84	77/84 <sup>2)</sup>
Sound power level	no load/operation	[dB(A)]	93/100	93/100 <sup>2)</sup>
Working height		[mm]	1200	
Dimensions	Length <sup>3)</sup>	[mm]	2600	3000
	Width	[mm]	3430 / 3830 / 4130 / 4430 / 4830 / 5230 / 5630	
	Height <sup>4)</sup>	[mm]	2300	2300
Weight			on inquiry	

1) shorter length on inquiry

2) Increased sound emission to be expected when using 2 saw shafts simultaneously

3) without anti-kickback device

4) with bottom dust extraction

# FLEXIBLE PANEL RIPPING

## SK-VARIO WITH SERVO-CONTROLLED SAW HEADS

On the SK-VARIO, in contrast to the SK machines featuring a continuous saw shaft, each saw blade is driven by its own motor. The independent saw heads can be positioned via modern servo motors as required. To allow minimal strip widths and flexible edge hogging, the saw heads are arranged in two lines one after the other.

Operation is effected via an intelligent MAXIRIP control with modern touch screen user interface that has been specifically optimized for the SK-VARIO. Master computer connection and telemaintenance option are also a matter of course.



Fig. 8: SK-VARIO

Fig. 9: Saw heads of the SK-VARIO in 'parking position'.



Fig. 10: SK-VARIO in operation



## TECHNICAL DATA

SK-VARIO			
Nominal opening widths	[mm]	800 / 1200 / 1500 / 1800 / 2200 / 2600 / 3000	
Max. cutting height	[mm]	100	
Min. workpiece length <sup>1)</sup>	[mm]	2000	
Min. strip width	[mm]	100	
Max. Saw blade Ø	[mm]	380	
Feed speed	[m/min]	variable	
Max. driving power	per saw blade	[kW]	5 - 10
	per hogger	[kW]	10 - 27
Sound pressure level	no load/operation	[dB(A)]	77/84
Sound power level	no load/operation	[dB(A)]	93/100
Working height	[mm]	1400	
Dimensions	Length <sup>2)</sup>	[mm]	2260 <sup>2)</sup>
	Width	[mm]	5550 / 5950 / 6250 / 6550 / 6950 / 7350 / 7750
	Height <sup>3)</sup>	[mm]	2450
Weight		on inquiry	

1) shorter length on inquiry  
3) with bottom dust extraction

2) without anti-kickback device